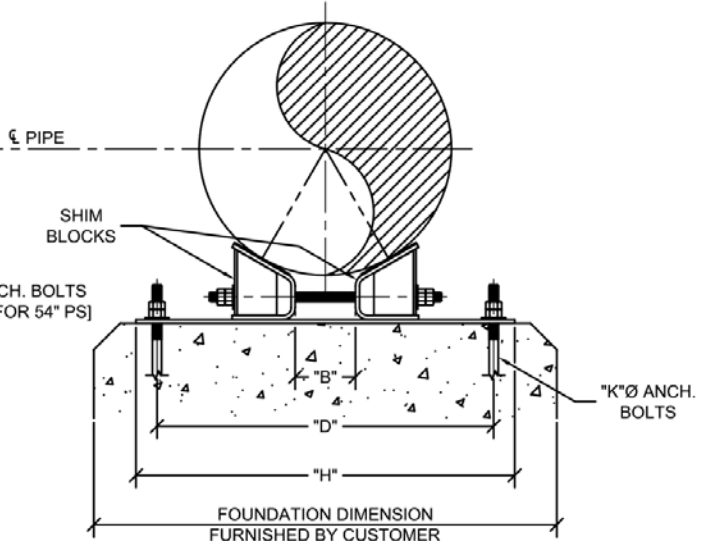


ELEVATION AT PIPE SUPPORT



SECTION THRU PIPE AT SUPPORT

**E-Z LINE PIPE SUPPORT CO., LLC.**  
 MANVEL, TEXAS (713) 675-6693

**STEEL SHIM BLOCK ASSEMBLY w/ BASE PLATE**  
**1/8" THICK LINING ON TOP OF SHIM BLOCKS**

**SBA-01**