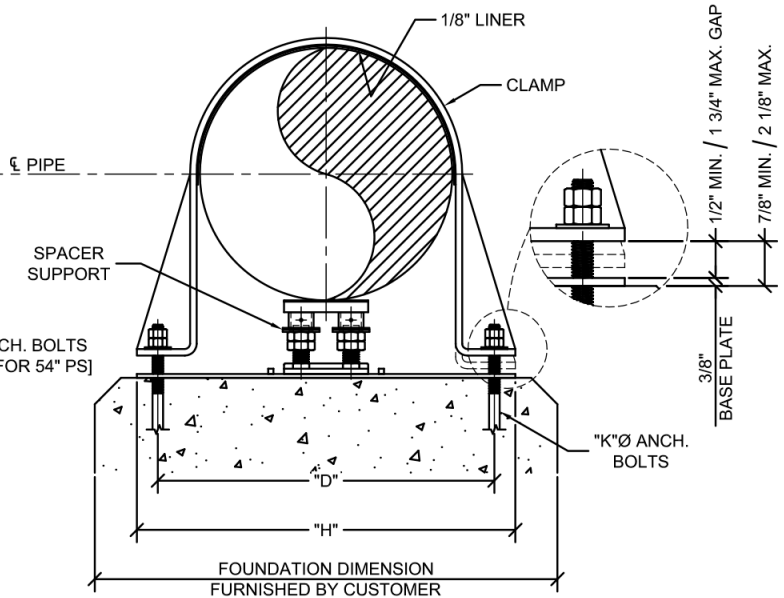


**ELEVATION AT PIPE SUPPORT**



**SECTION THRU PIPE AT SUPPORT**

**E-Z LINE PIPE SUPPORT CO., LLC.**

MANVEL, TEXAS

(713) 675-6693

**PIPE CLAMP WITH ADJUSTABLE SPACER ASSEMBLY  
1/8" THICK LINING INSIDE CLAMP AND TOP PLATE OF SPACER**

**CSPB-01**