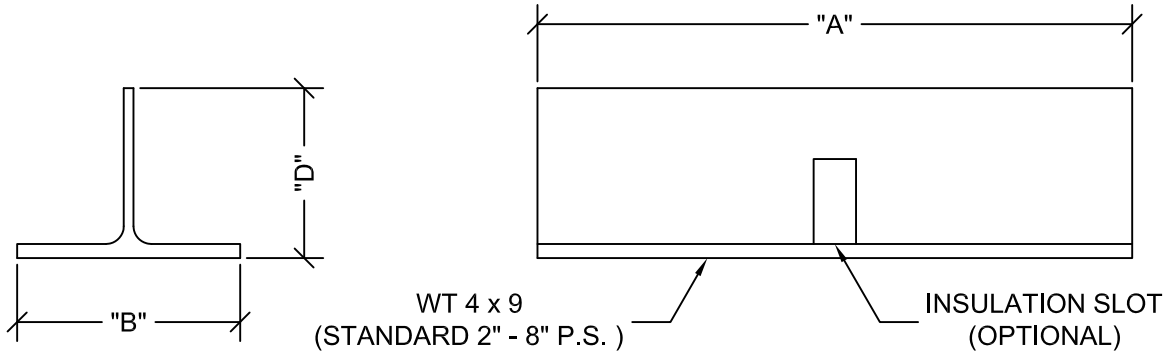
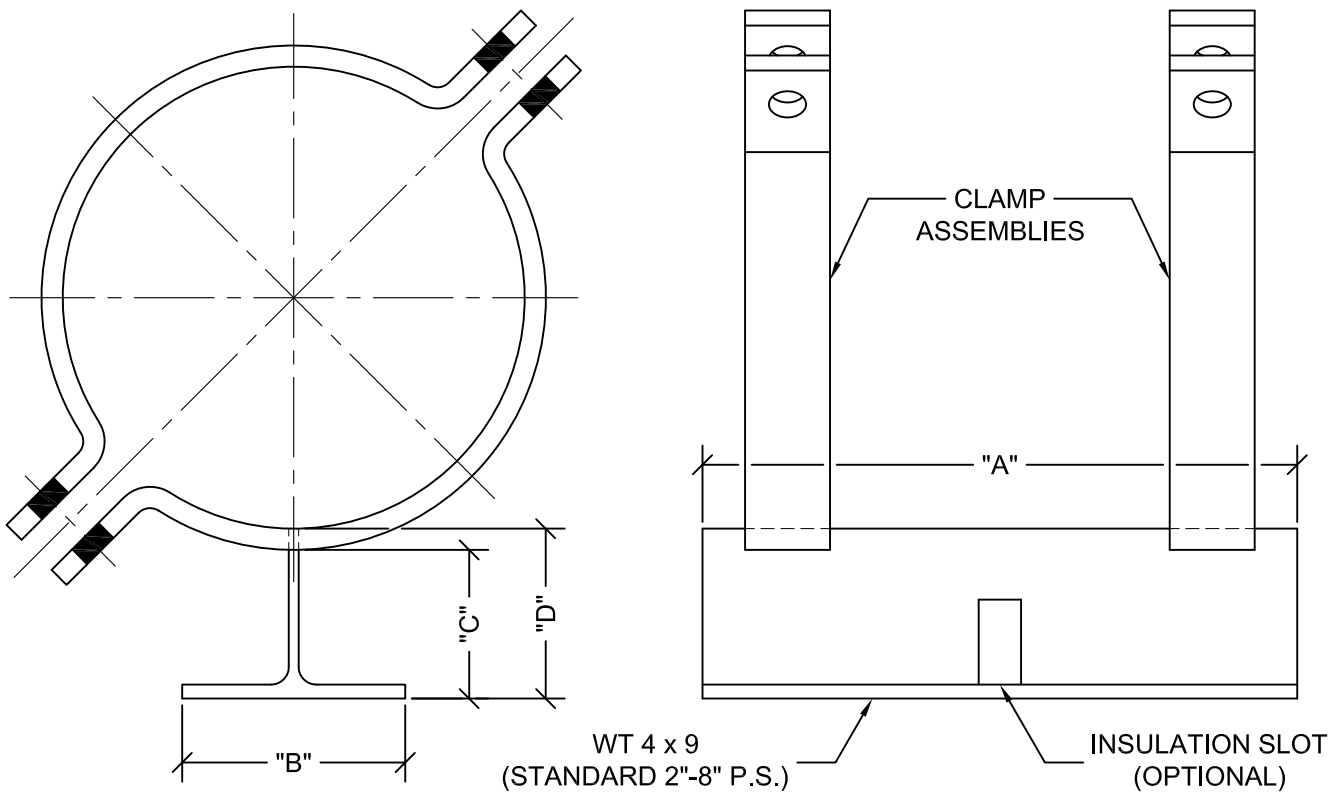


WELD-ON PIPE SHOE



PIPE SHOE w/ HOLD DOWN CLAMPS



*CUSTOM DESIGNS FOR LARGER PIPE SIZES AVAILABLE UPON REQUEST

*FRP LINERS ARE STANDARD, I-CLIP, VIBLON, and PTFE CAN BE SUBSTITUTED FOR VIBRATION, ABRASION, AND CORROSION CONTROL

DIMENSIONS "A" - "D" PROVIDED BY CUSTOMER *SLIDE PLATES CAN BE ADDED AS AN OPTION TO ALLOW FOR LATERAL AND AXIAL MOVEMENT

E-Z LINE PIPE SUPPORT CO., LLC.

MANVEL, TEXAS

(713) 675-6693

E-Z LINE® PIPE SHOE ASSEMBLIES

PSHOE-01